

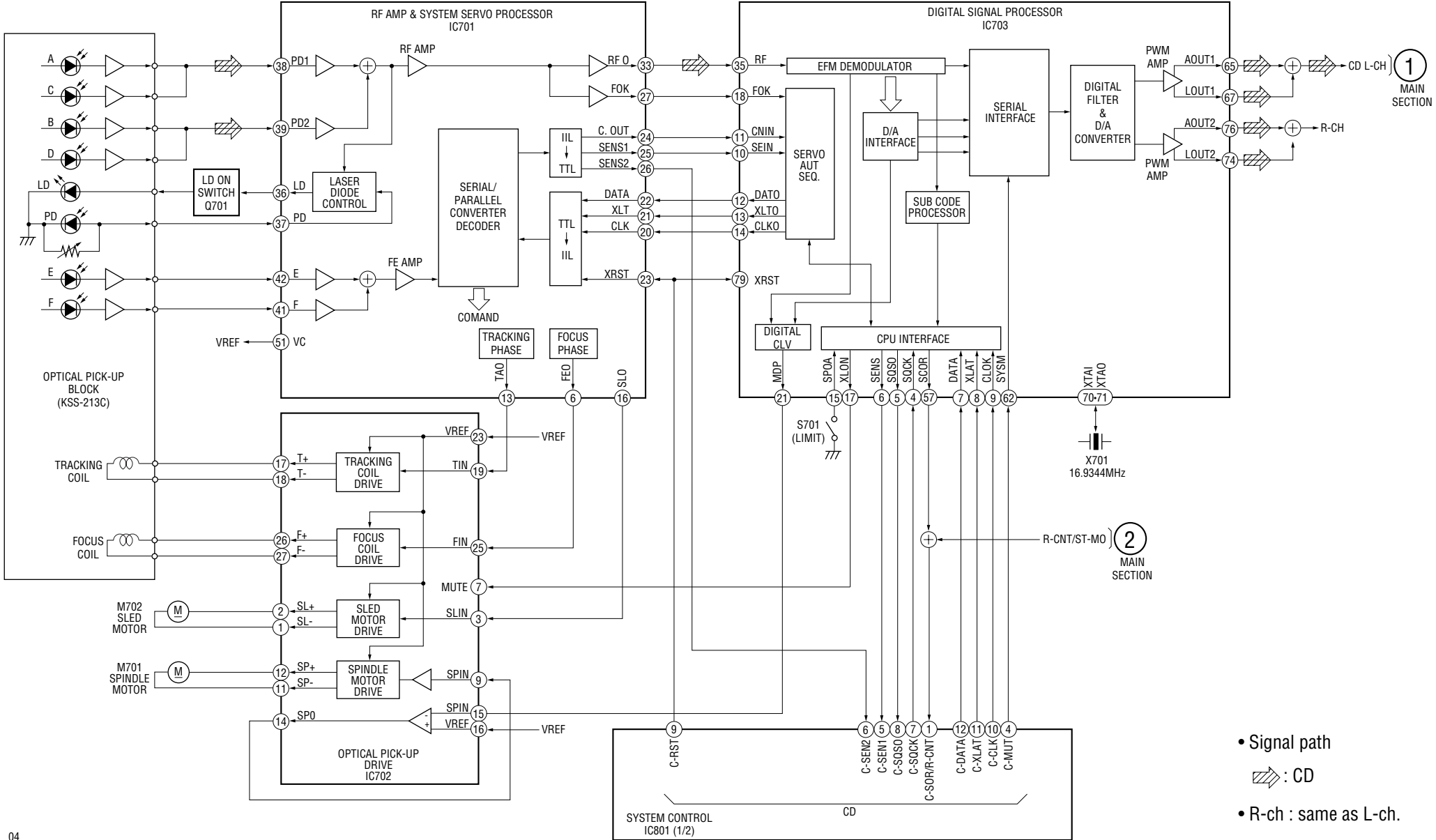
CFD-ZW750/ZW770

SERVICE MANUAL

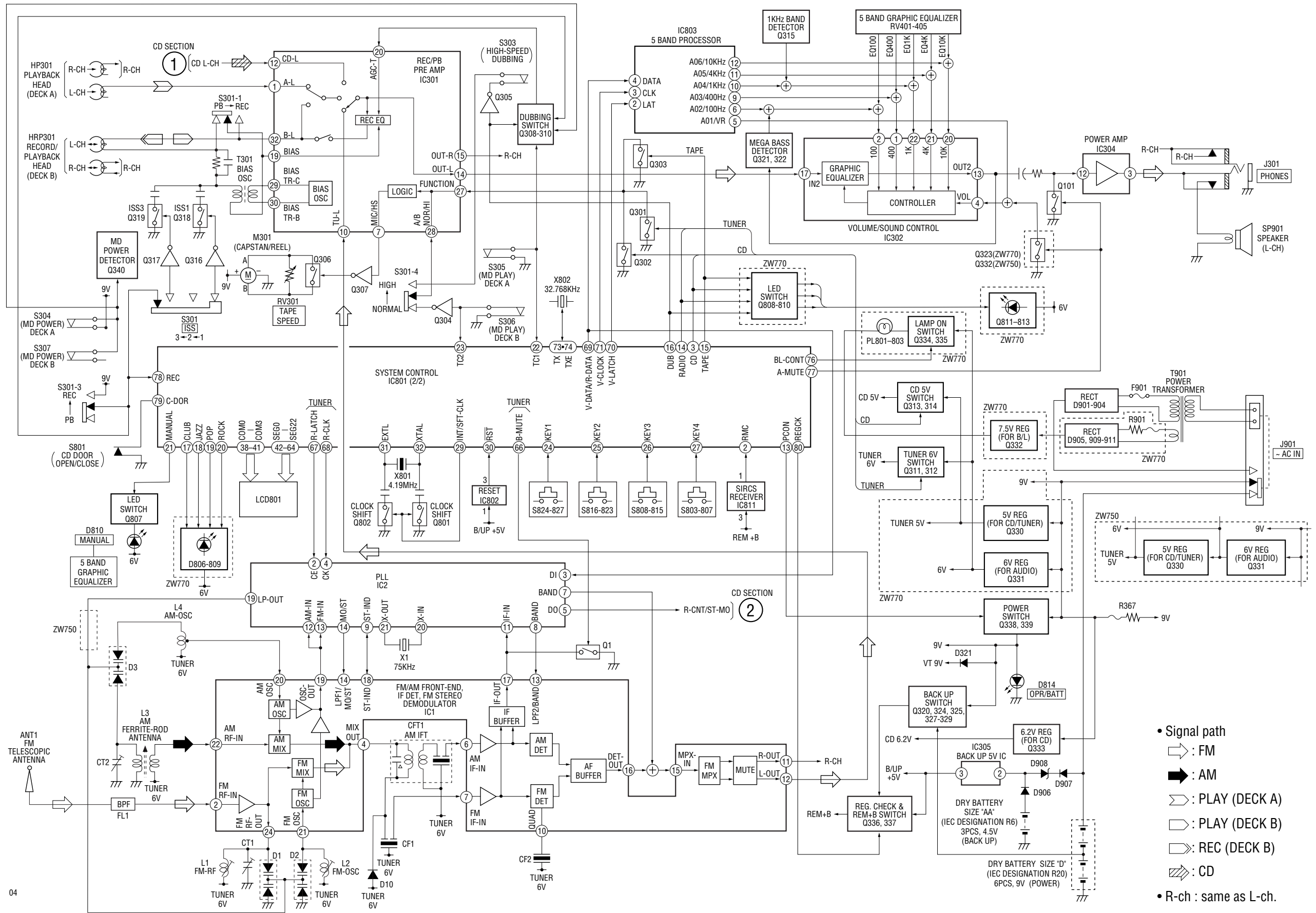


Photo : CFD-ZW770

5-3. BLOCK DIAGRAM — CD SECTION —

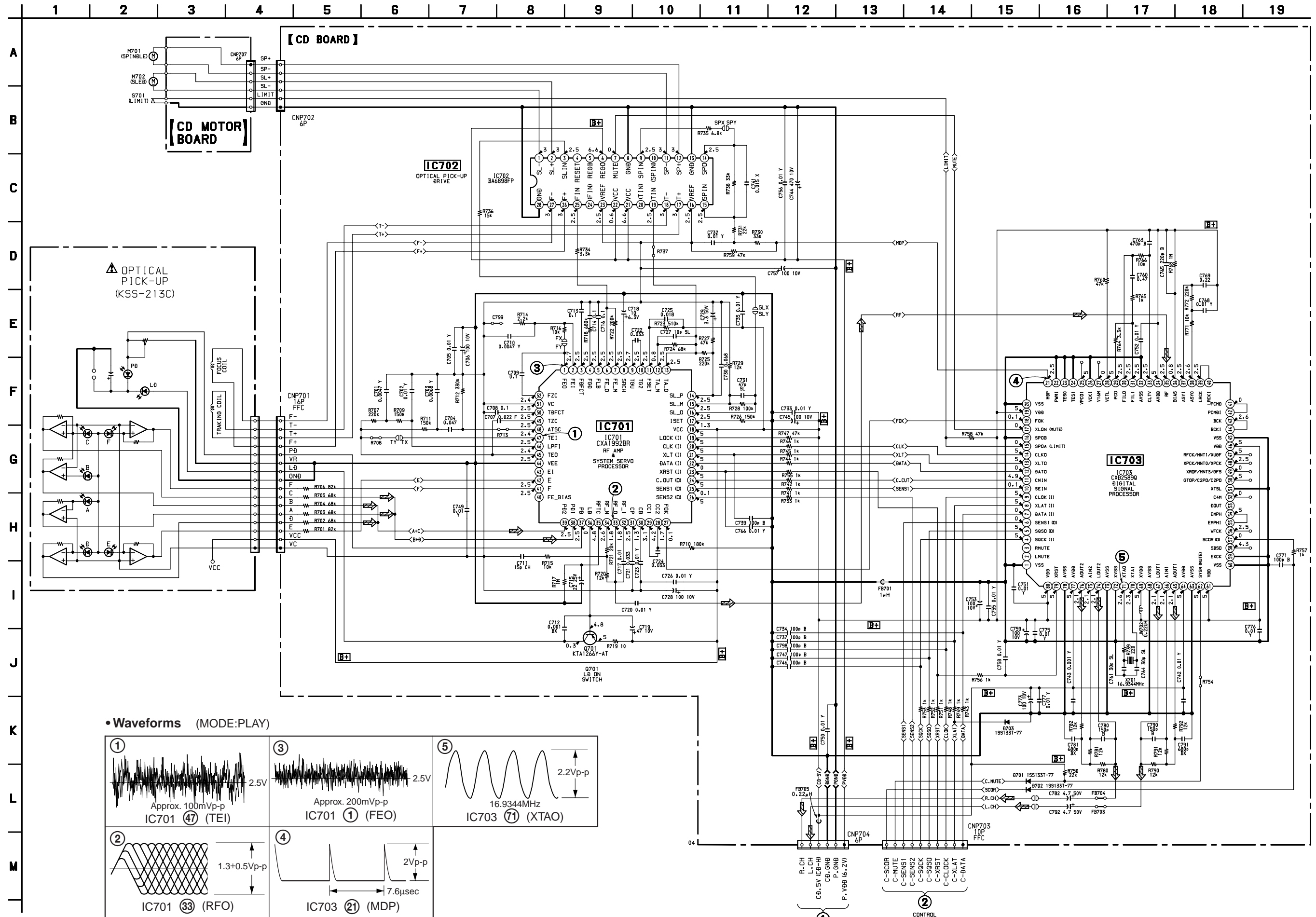


5-4. BLOCK DIAGRAM — MAIN SECTION —

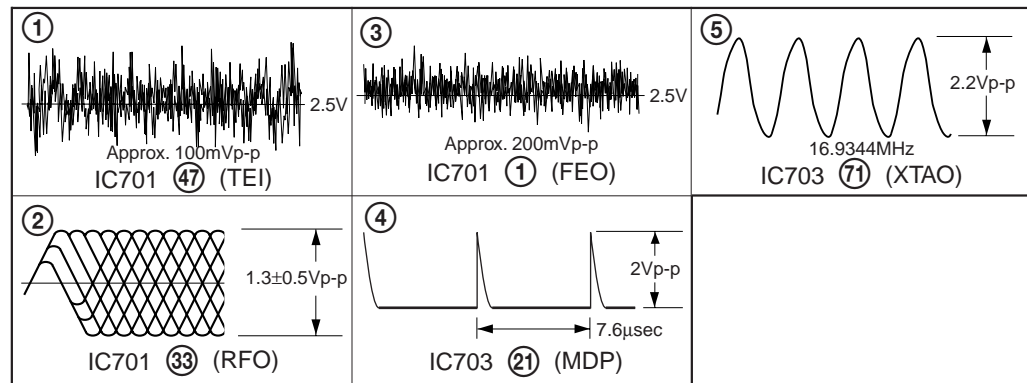


5-6. SCHEMATIC DIAGRAM — CD SECTION — (for CFD-ZW750/ZW770) • Refer to page 22 for Note on Schematic Diagram.

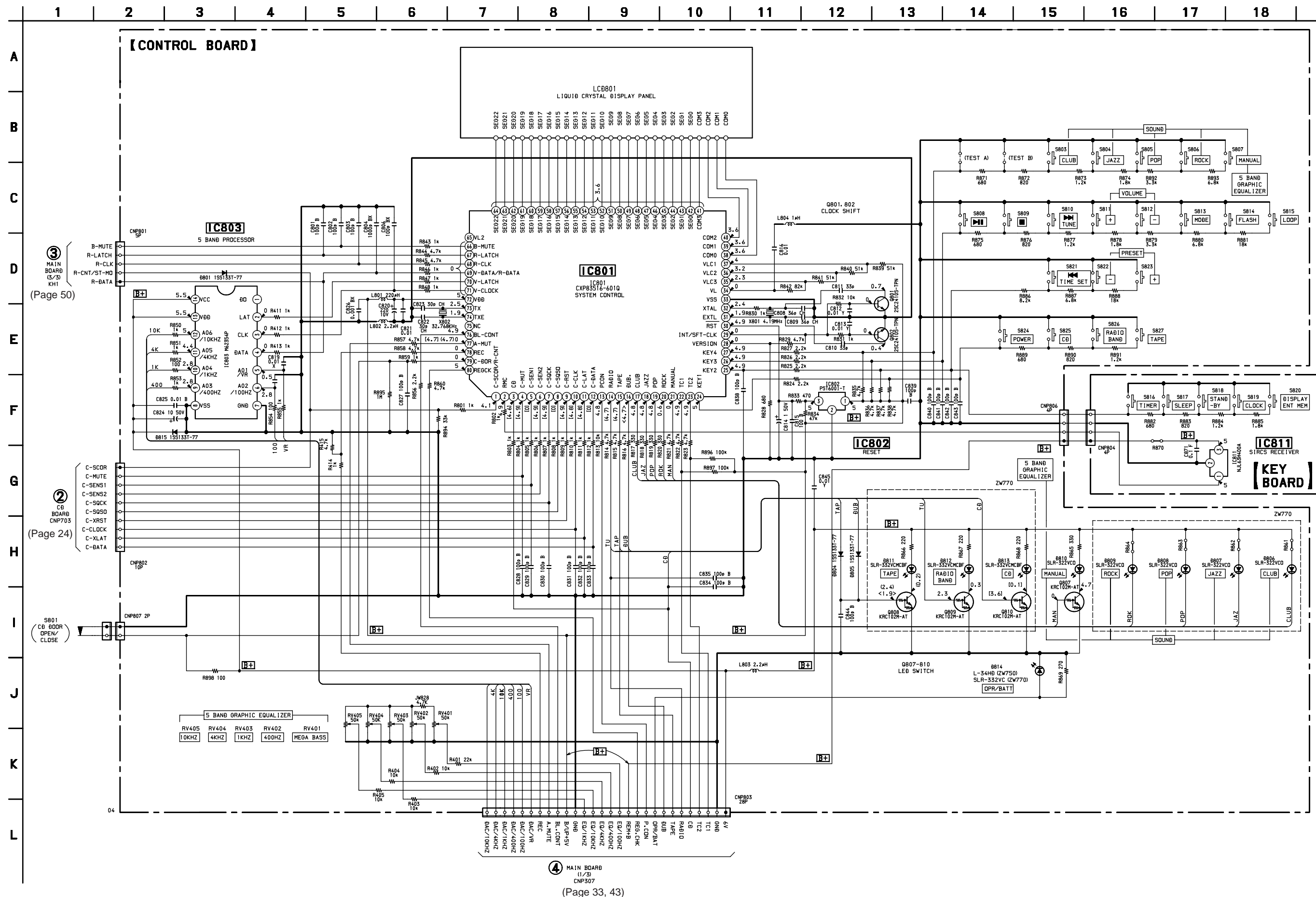
• Refer to page 51 for IC Block Diagrams.



• Waveforms (MODE:PLAY)



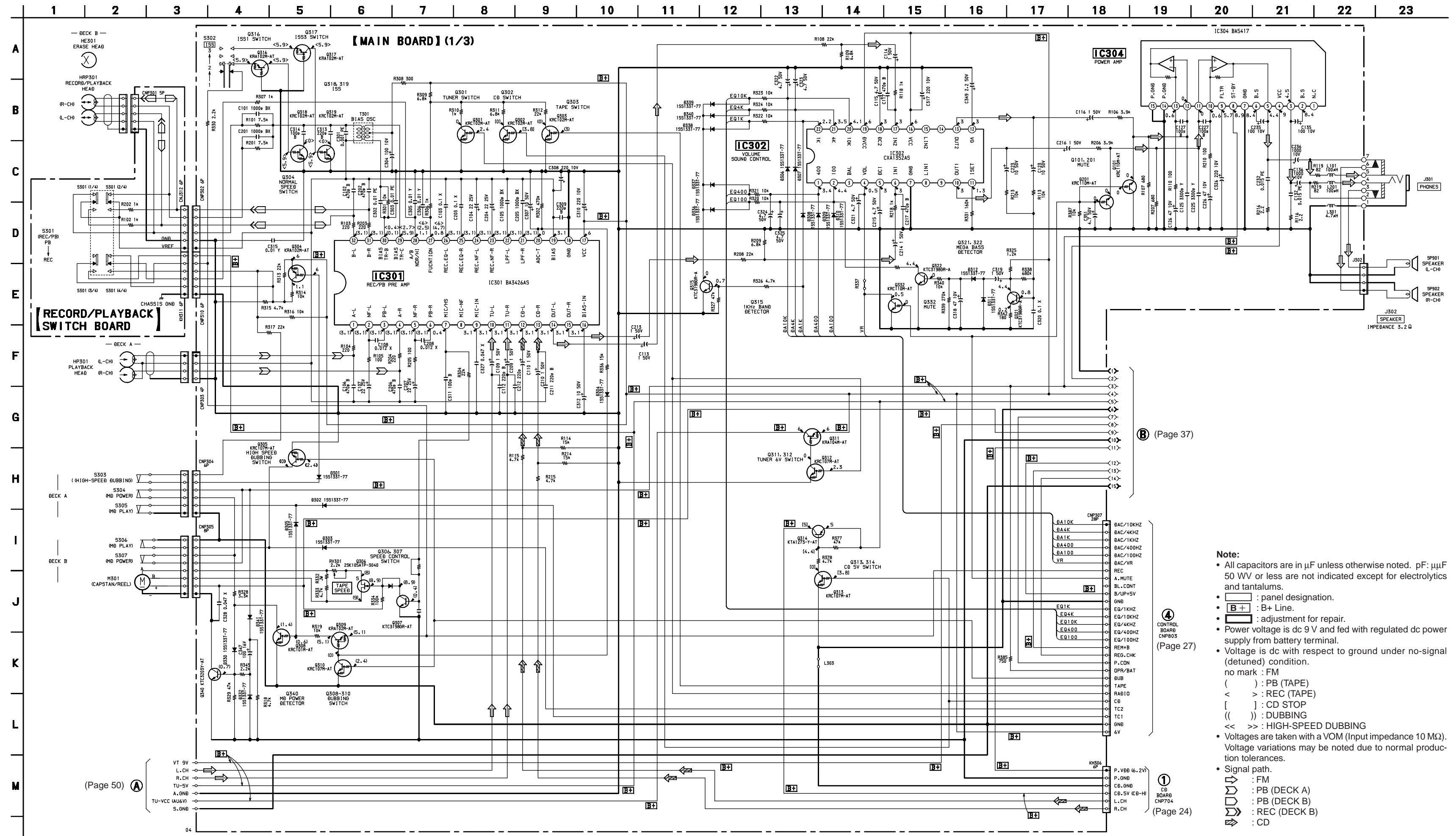
5-8. SCHEMATIC DIAGRAM — CONTROL SECTION — (for CFD-ZW750/ZW770) • Refer to page 25 for Note on Schematic Diagram.
• Refer to page 53 for IC Block Diagrams.



5-10. SCHEMATIC DIAGRAM — MAIN SECTION (1/2) — (for CFD-ZW750) • Refer to page 53 for IC Block Diagrams.

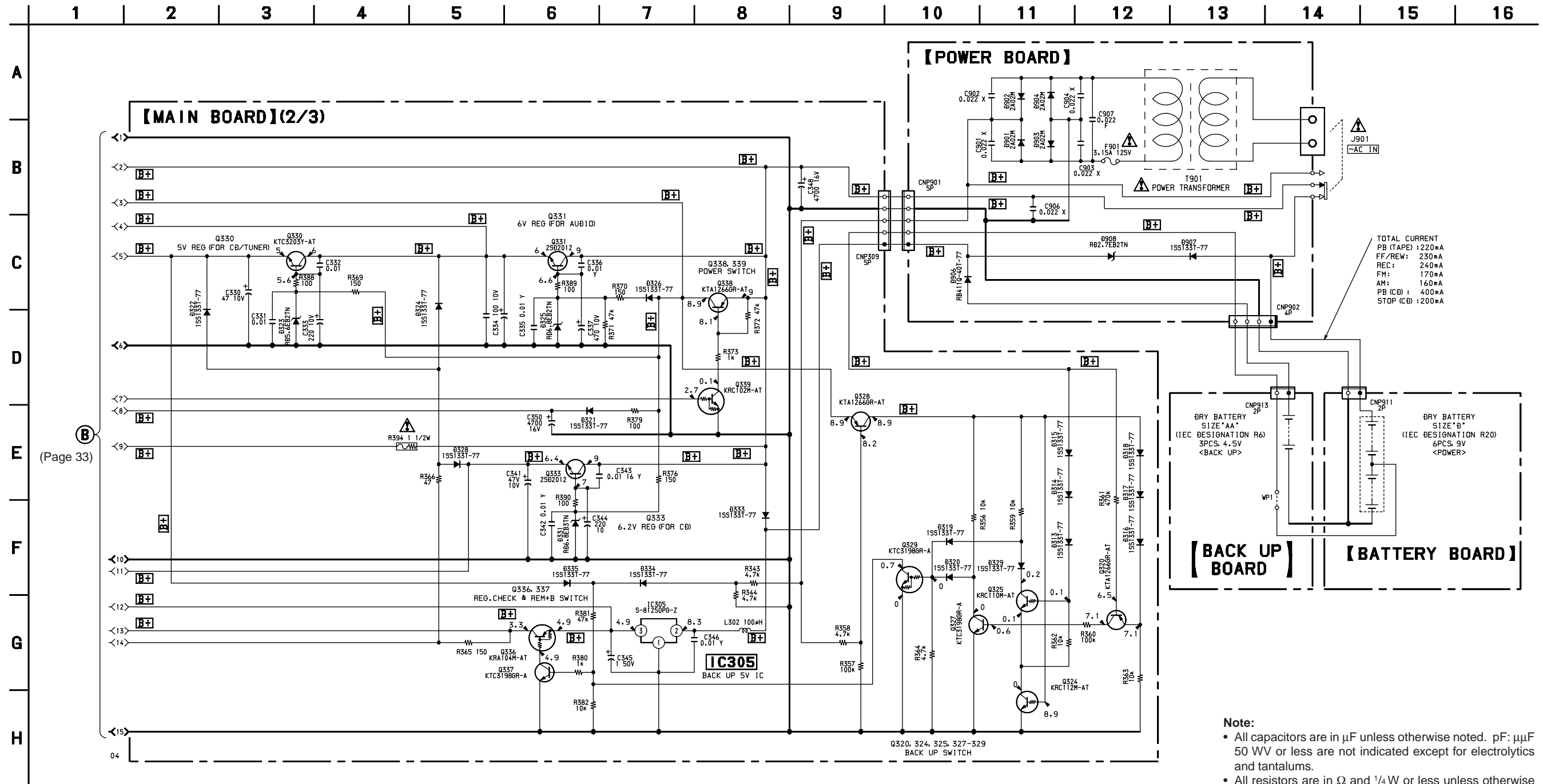
• Semiconductor Location

Ref. No.	Location	Ref. No.	Location
D1	F-12	IC1	H-11
D2	F-12	IC2	H-10
D3	F-11	IC301	G-6
D4	C-12	IC302	D-7
D5	B-12	IC304	C-7
D6	H-12	IC305	H-4
D8	C-12		
D9	C-12	Q1	F-10
D10	H-12	Q101	C-6
D301	E-7	Q201	C-6
D302	H-5	Q301	F-6
D303	I-5	Q302	F-6
D304	F-4	Q303	F-6
D305	F-4	Q304	F-7
D306	H-9	Q305	F-4
D307	H-9	Q306	G-4
D308	H-9	Q307	G-4
D309	H-8	Q308	F-4
D310	H-8	Q309	F-4
D311	E-8	Q310	F-4
D312	E-8	Q311	F-9
D313	C-11	Q312	F-9
D314	C-11	Q313	E-9
D315	C-10	Q314	E-9
D316	D-10	Q315	H-7
D317	D-10	Q316	F-8
D318	D-11	Q317	F-8
D319	C-11	Q318	F-8
D320	C-11	Q319	F-8
D321	D-10	Q320	C-11
D322	D-10	Q321	E-7
D323	D-9	Q322	E-8
D324	E-10	Q324	C-11
D325	B-8	Q325	C-11
D326	B-10	Q327	D-11
D328	D-10	Q328	D-11
D330	G-4	Q329	D-11
D331	B-9	Q330	D-9
D332	G-5	Q331	B-9
D333	D-6	Q332	E-8
D334	H-4	Q333	B-9
D335	H-5	Q336	I-5
D336	H-8	Q337	I-5
D337	I-8	Q338	D-8
D338	H-8	Q339	D-9
D339	H-8	Q340	G-4
D340	H-8		
D341	H-5		



- Note:**
- All capacitors are in μF unless otherwise noted. pF : μF
 - 50 WV or less are not indicated except for electrolytics and tantalums.
 - [] : panel designation.
 - [B+] : B+ Line.
 - [] : adjustment for repair.
 - Power voltage is dc 9V and fed with regulated dc power supply from battery terminal.
 - Voltage is dc with respect to ground under no-signal (detuned) condition.
 - no mark : FM
 - () : PB (TAPE)
 - < > : REC (TAPE)
 - [] : CD STOP
 - (()) : DUBBING
 - << >> : HIGH-SPEED DUBBING
 - Voltages are taken with a VOM (Input impedance 10 M Ω). Voltage variations may be noted due to normal production tolerances.
 - Signal path.
 - [] : FM
 - [] : PB (DECK A)
 - [] : PB (DECK B)
 - [] : REC (DECK B)
 - [] : CD

5-12. SCHEMATIC DIAGRAM — POWER SUPPLY SECTION — (for CFD-ZW750)



TOTAL CURRENT
 PB (TAPE) : 220mA
 FF/REW: 230mA
 REC: 240mA
 FM: 170mA
 AM: 160mA
 PB (CD) : 400mA
 STOP (CD) : 200mA

(Page 33)

- Note:**
- All capacitors are in μF unless otherwise noted. pF: μpF 50 WV or less are not indicated except for electrolytics and tantalums.
 - All resistors are in Ω and $1/4\text{W}$ or less unless otherwise specified.
 - : fusible resistor.
 - : panel designation.

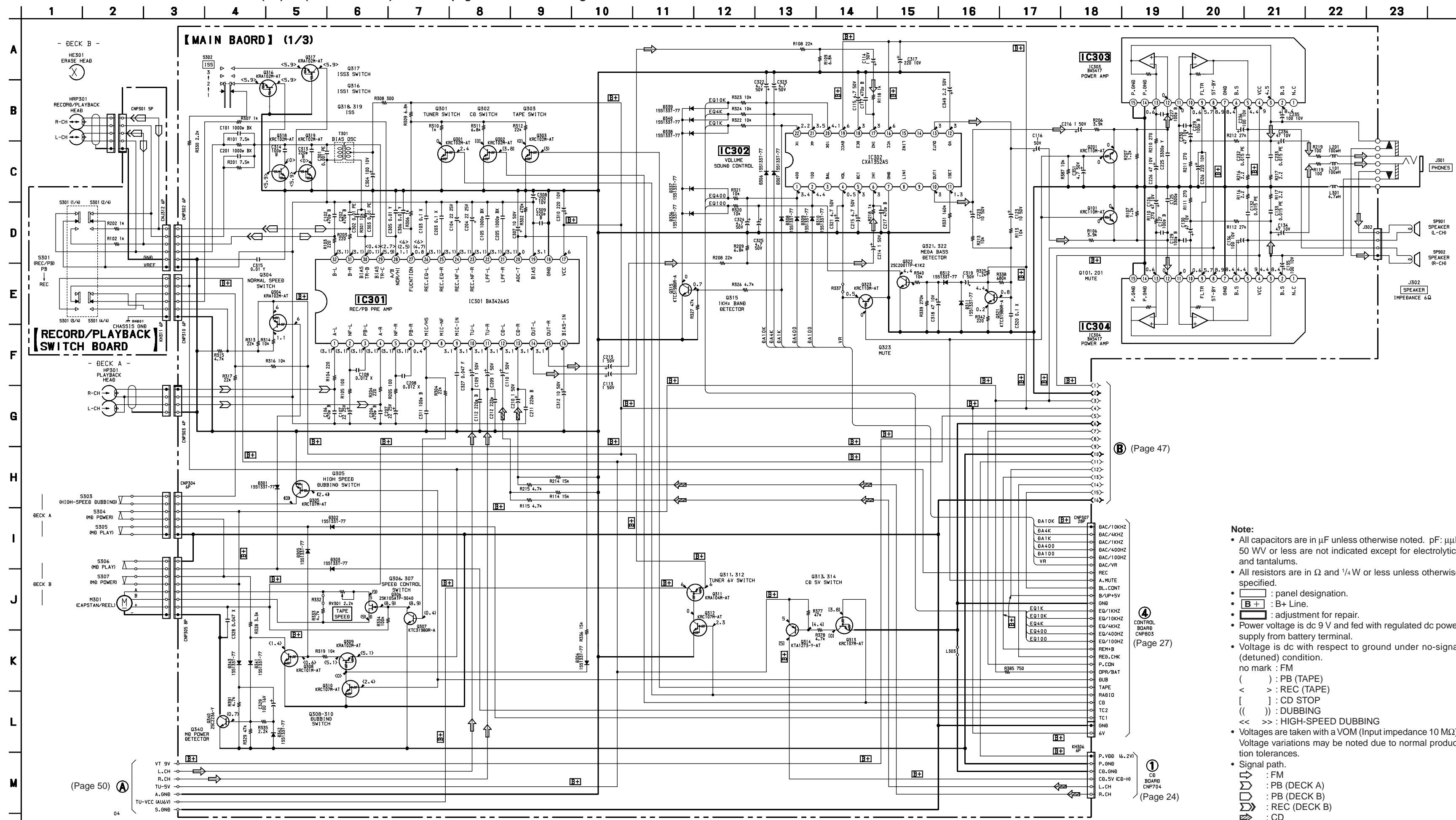
<p>Note: The components identified by mark Δ or dotted line with mark Δ are critical for safety. Replace only with part number specified.</p>	<p>Note: Les composants identifiés par une marque Δ sont critiques pour la sécurité. Ne les remplacer que par une pièce portant le numéro spécifié.</p>
---	---

- **B+** : B+ Line.
- Power voltage is dc 9 V and fed with regulated dc power supply from battery terminal.
- Voltage is dc with respect to ground under no-signal (detuned) condition. no mark : FM
- Voltages are taken with a VOM (Input impedance 10 M Ω). Voltage variations may be noted due to normal production tolerances.

5-14. SCHEMATIC DIAGRAM — MAIN SECTION (1/2) — (for CFD-ZW770) • Refer to page 53 for IC Block Diagrams.

• Semiconductor Location

Ref. No.	Location	Ref. No.	Location
D1	F-12	IC1	H-11
D2	F-12	IC2	H-10
D3	F-11	IC301	G-6
D4	B-12	IC302	D-7
D5	B-12	IC303	B-6
D6	H-12	IC304	B-8
D8	C-12	IC305	H-4
D9	C-12		
D10	H-12	Q1	F-10
D301		Q101	C-7
D302		Q201	C-6
D303		Q301	F-6
D304		Q302	F-6
D305		Q303	F-6
D306		Q304	F-7
D307		Q305	F-4
D308		Q306	G-4
D309		Q307	G-4
D310		Q308	F-4
D311		Q309	F-4
D312		Q310	F-4
D313		Q311	F-9
D314		Q312	F-9
D315		Q313	E-9
D316		Q314	E-9
D317		Q315	H-7
D318		Q316	H-8
D319		Q317	H-8
D320		Q318	F-8
D321		Q319	F-8
D322		Q320	C-11
D323		Q321	E-7
D324		Q322	E-8
D325		Q323	E-8
D326		Q324	C-11
D327		Q325	C-11
D328		Q327	D-11
D329		Q328	D-11
D331		Q329	D-11
D333		Q330	D-10
D334		Q331	B-9
D335		Q332	H-4
D336		Q333	B-9
D337		Q334	I-4
D338		Q335	I-4
D339		Q336	I-5
D340		Q337	I-5
D341		Q338	D-8
D342		Q339	D-9
D343		Q340	G-4



(Page 50) A

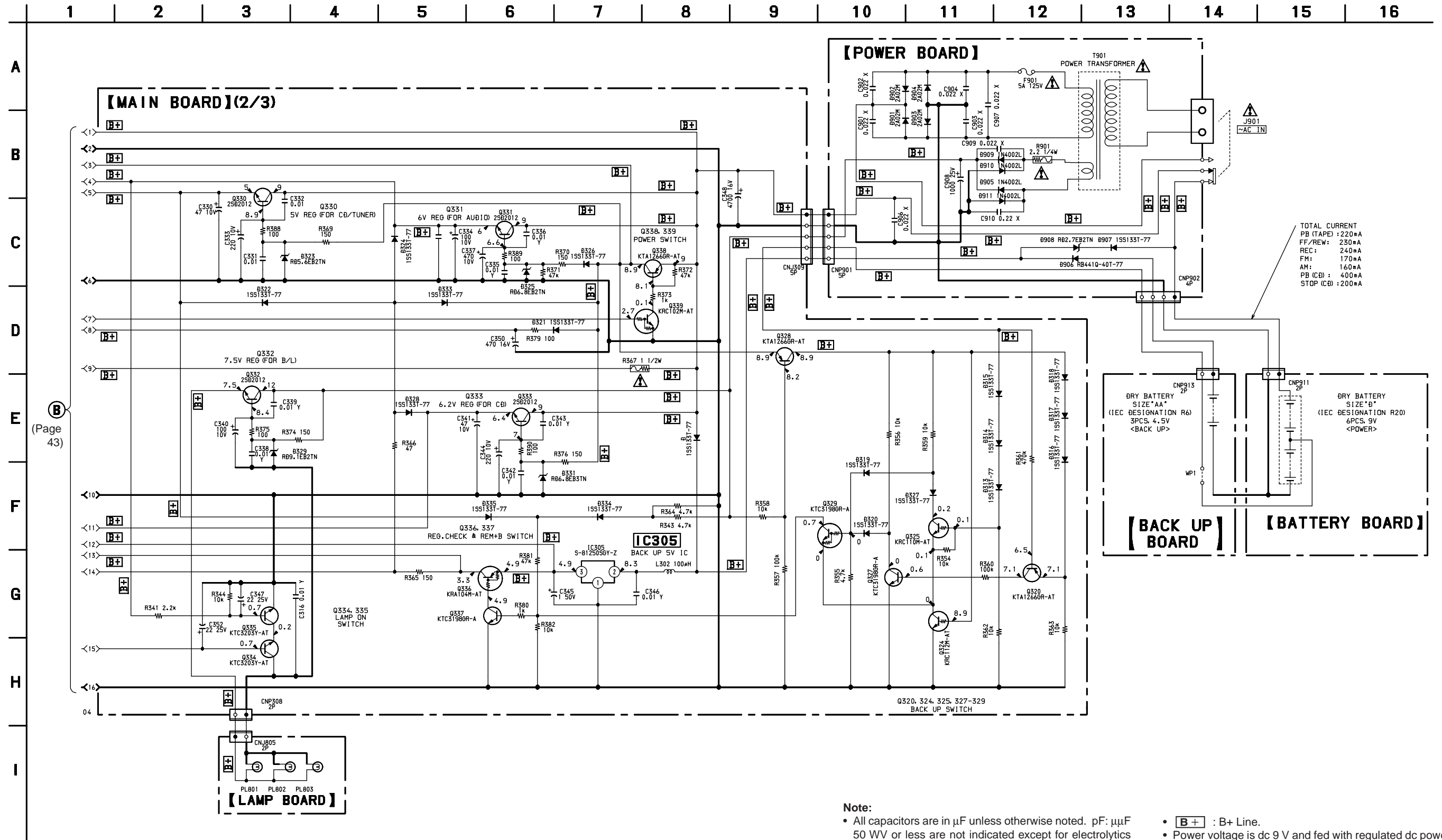
(Page 47) B

(Page 27) C

(Page 24) D

- Note:**
- All capacitors are in μF unless otherwise noted. pF : μF 50 WV or less are not indicated except for electrolytics and tantalums.
 - All resistors are in Ω and $1/4\text{W}$ or less unless otherwise specified.
 - [] : panel designation.
 - [B+] : B+ Line.
 - [] : adjustment for repair.
 - Power voltage is dc 9V and fed with regulated dc power supply from battery terminal.
 - Voltage is dc with respect to ground under no-signal (detuned) condition.
 - no mark : FM
 - () : PB (TAPE)
 - < > : REC (TAPE)
 - [] : CD STOP
 - () : DUBBING
 - << >> : HIGH-SPEED DUBBING
 - Voltages are taken with a VOM (Input impedance 10 M Ω). Voltage variations may be noted due to normal production tolerances.
 - Signal path.
 - [] : FM
 - [] : PB (DECK A)
 - [] : PB (DECK B)
 - [] : REC (DECK B)
 - [] : CD

5-16. SCHEMATIC DIAGRAM — POWER SUPPLY SECTION — (for CFD-ZW770)



(Page 43)

Note:

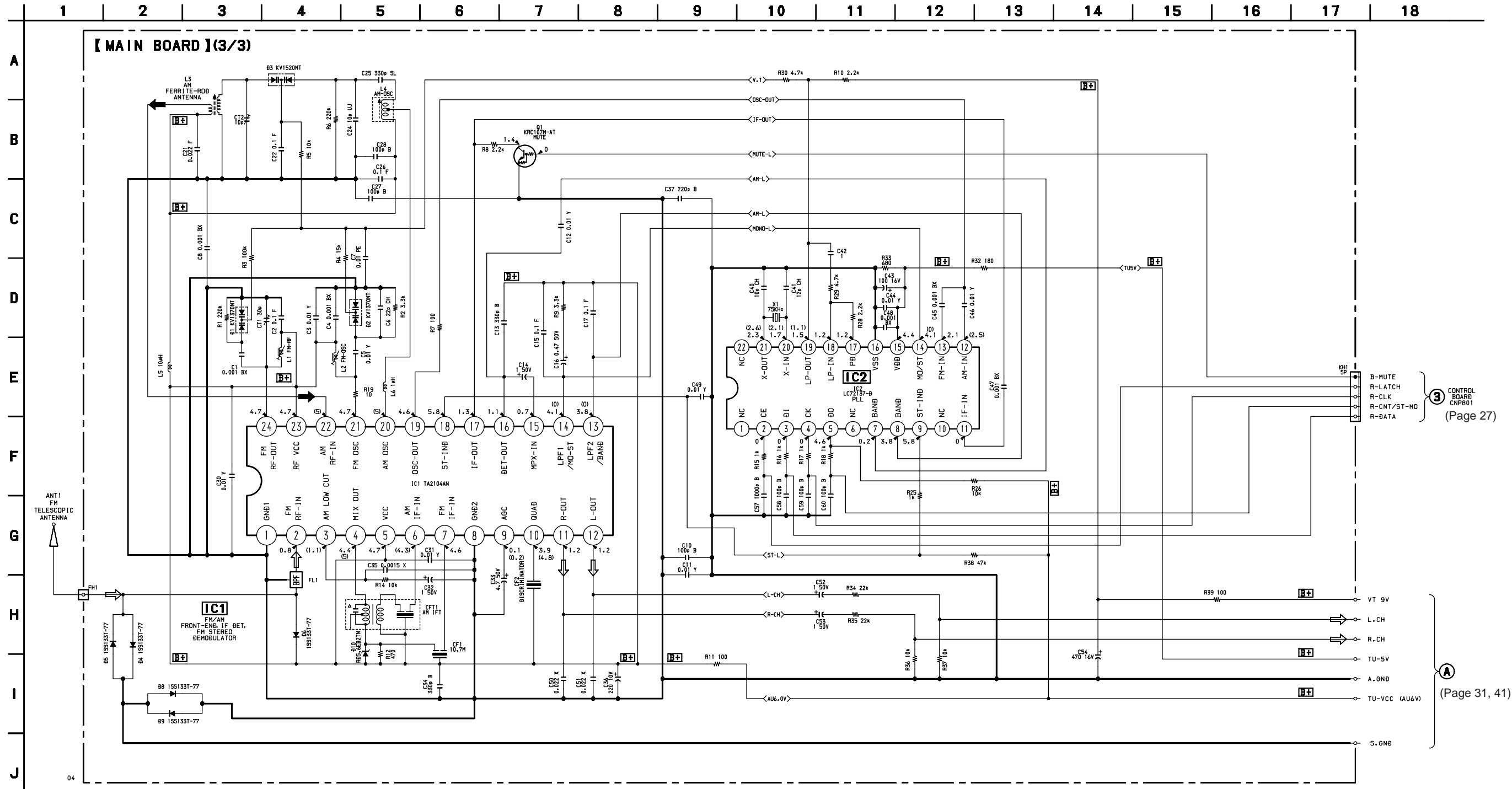
- All capacitors are in μF unless otherwise noted. pF : μpF
- 50 WV or less are not indicated except for electrolytics and tantalums.
- All resistors are in Ω and $1/4\text{ W}$ or less unless otherwise specified.
- : fusible resistor.
- : panel designation.

- **B+** : B+ Line.
- Power voltage is dc 9 V and fed with regulated dc power supply from battery terminal.
- Voltage is dc with respect to ground under no-signal (detuned) condition. no mark : FM
- Voltages are taken with a VOM (Input impedance 10 M Ω). Voltage variations may be noted due to normal production tolerances.

Note:
The components identified by mark Δ or dotted line with mark Δ are critical for safety. Replace only with part number specified.

Note:
Les composants identifiés par une marque Δ sont critiques pour la sécurité. Ne les remplacer que par une pièce portant le numéro spécifié.

5-17. SCHEMATIC DIAGRAM — MAIN SECTION (2/2) — (for CFD-ZW750/ZW770) • Refer to page 54 for IC Block Diagrams.



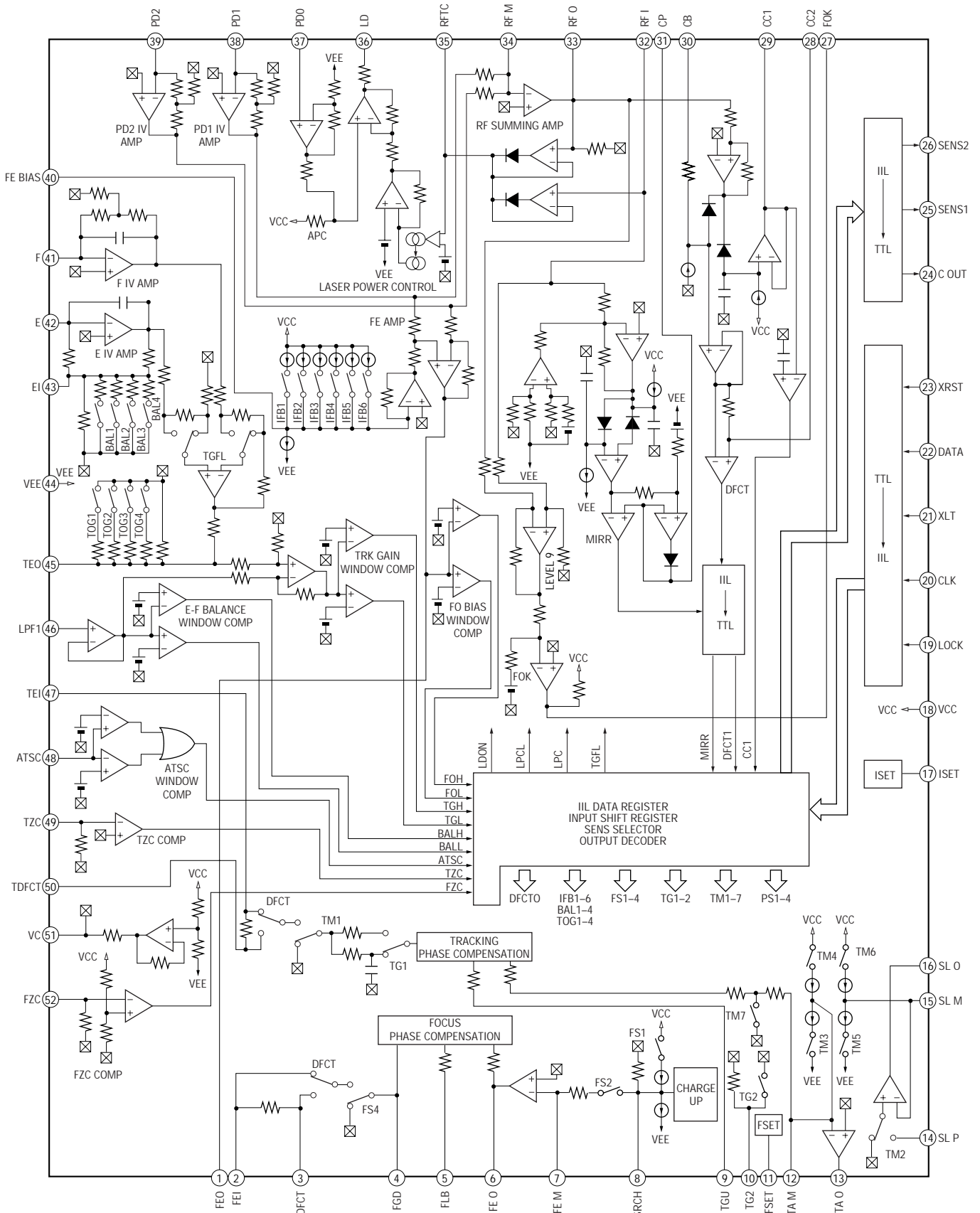
CONTROL BOARD CNP801 (Page 27)

(Page 31, 41)

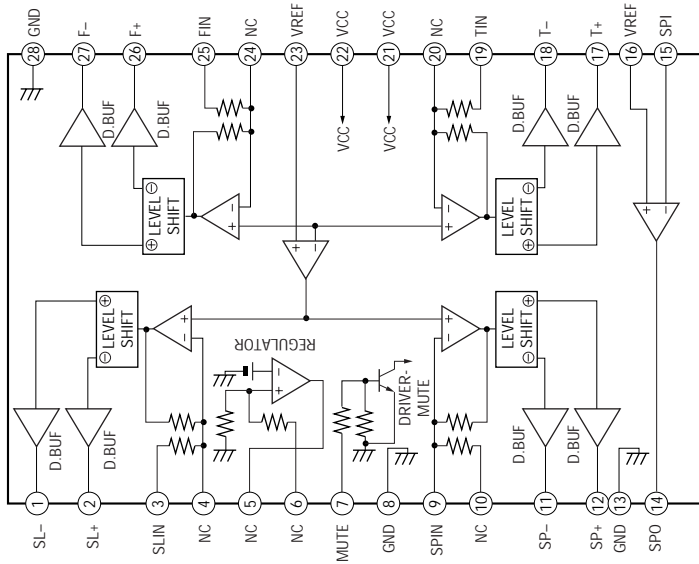
- Note:**
- All capacitors are in μF unless otherwise noted. pF : μmF 50 WV or less are not indicated except for electrolytics and tantalums.
 - All resistors are in Ω and $\frac{1}{4}$ W or less unless otherwise specified.
 - Δ : internal component.
 - $\boxed{B+}$: B+ Line.
 - Power voltage is dc 9 V and fed with regulated dc power supply from battery terminal.
 - Voltage is dc with respect to ground under no-signal (detuned) condition.
 - no mark : FM
 - () : AM
 - Voltages are taken with a VOM (Input impedance 10 M Ω). Voltage variations may be noted due to normal production tolerances.
 - Signal path.
 - \rightarrow : FM
 - \dashrightarrow : AM

• IC Block Diagrams

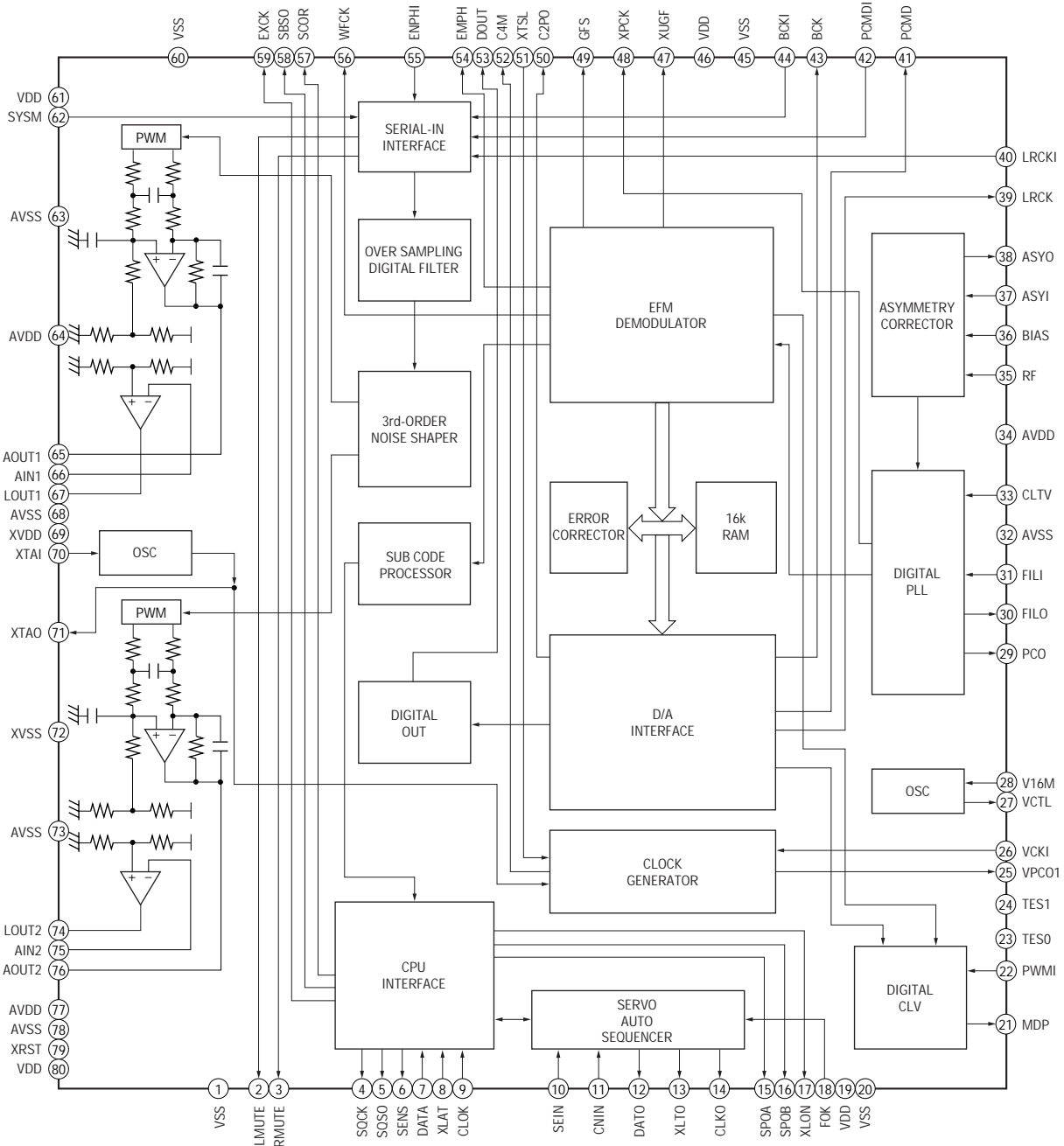
IC701 CXA1992BR



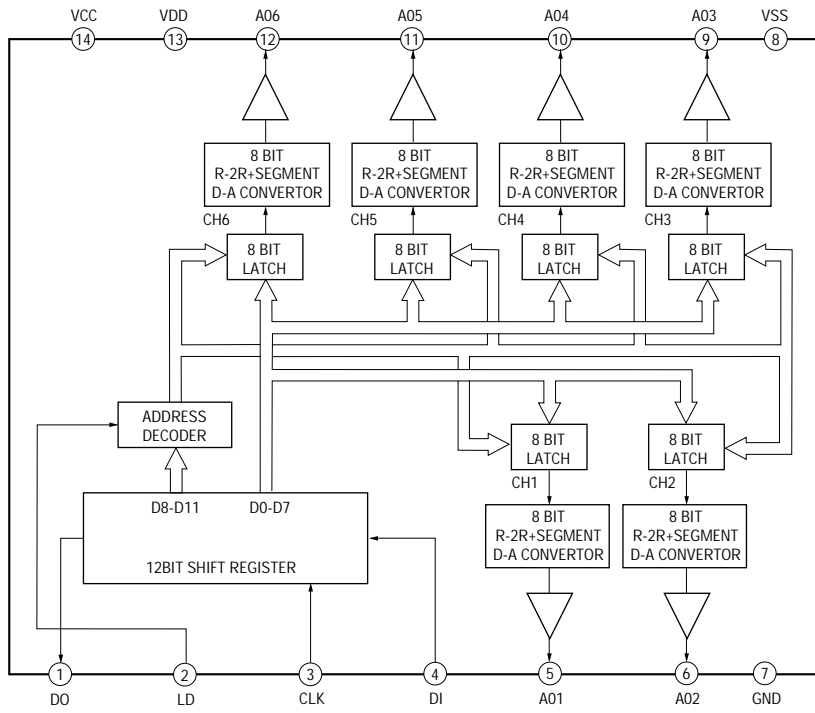
IC702 BA6898FP



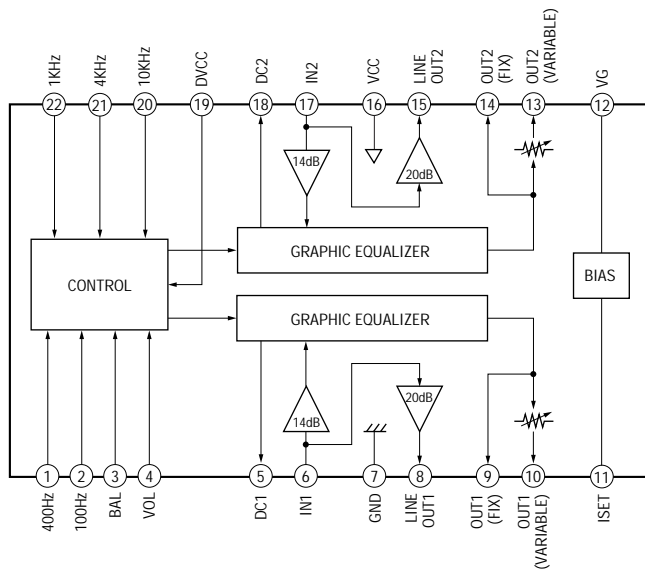
IC703 CXD2589Q



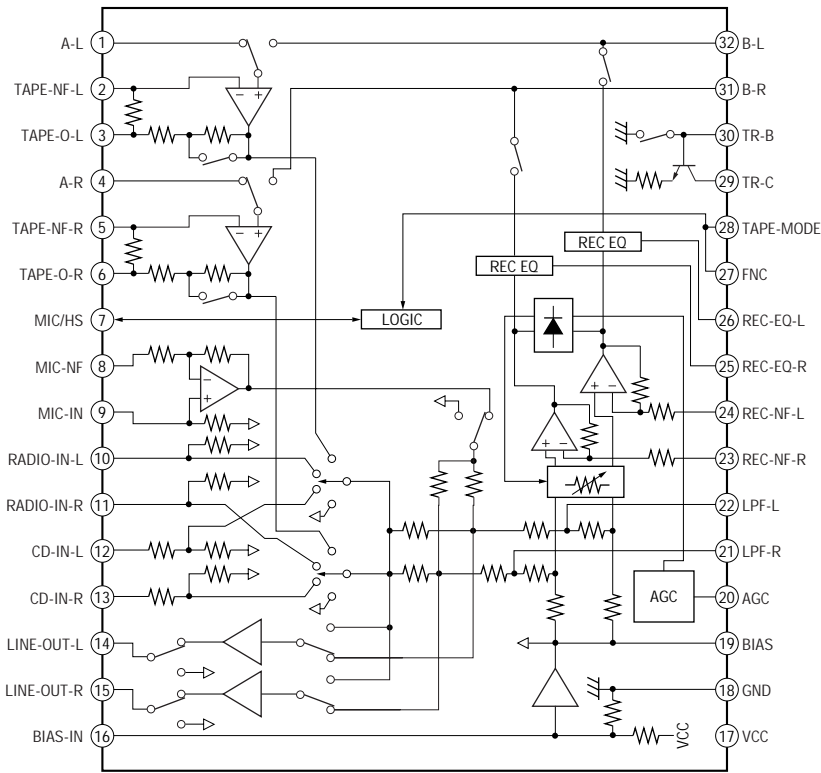
IC803 M62354P



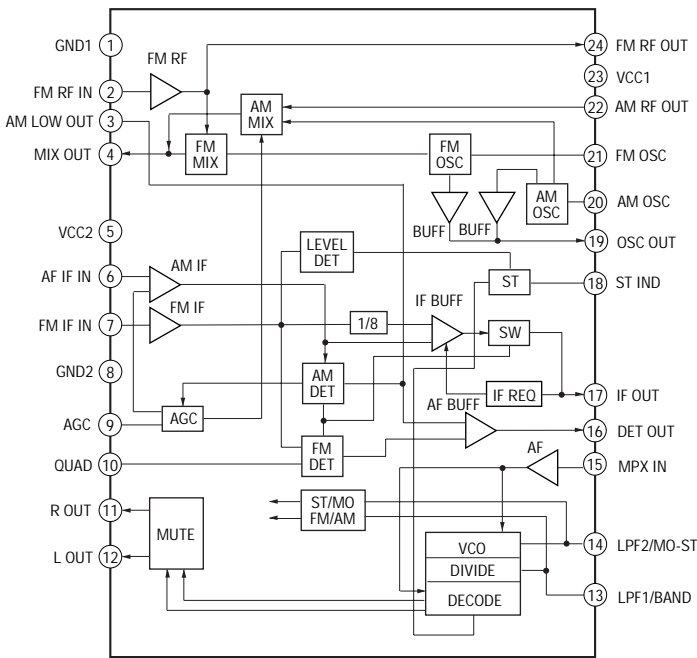
IC302 CXA1352AS



IC301 BA3426AS



IC1 TA2104AN



IC2 LC72137-D

